

# ATL-241

## SHACKLE TYPE

## LOAD CELL



### DESCRIPTION :

ATL-241 is safe for lifting application. It is heavy duty available in various capacity.

### APPLICATIONS :

- Cranes
- Construction
- Docks & navel use
- Material Handling

### KEY FEATURES :

- High temperature
- Optionally wireless available

### SPECIFICATIONS :

Rated capacity (Tonf)	: 3, 5, 10, 12, 15, 30, 50, 80, 100, 120
Excitation Voltage	: 10VDC-Maximum 15 VDC
Rated Output	: 1.0 mV/V
Non – Linearity	: $< \pm 0.15$ % FSO (Full scale Output)
Hysteresis	: $< \pm 0.25$ % FSO
Non-Repeatability	: $< \pm 0.1$ % FSO
Creep error (30 minutes)	: $< \pm 0.1$ % FSO
Zero Load Output	: $\pm 1.0$ % FSO
Input Resistance	: $775 \pm 15$ Ohms
Output Resistance	: $700 \pm 5$ Ohms
Insulation Resistance	: $> 1000$ Mega Ohms
Safe Overload	: 150 % of Rated Capacity
Ultimate Overload	: 200 % of Rated Capacity
Temperature	: 0 to 60° C
Compensated Range	
Temperature Effect on Output	: $< 0.005$ % FSO/° C
Temperature Effect on Zero	: $< 0.0030$ % FSO/° C
Deflection	: $< 0.4$ mm at FSO
Finish & Construction	: Electroless Nickel Plated Tool Steel
Environment Protection	: IP 65



## ADI CONTROLS

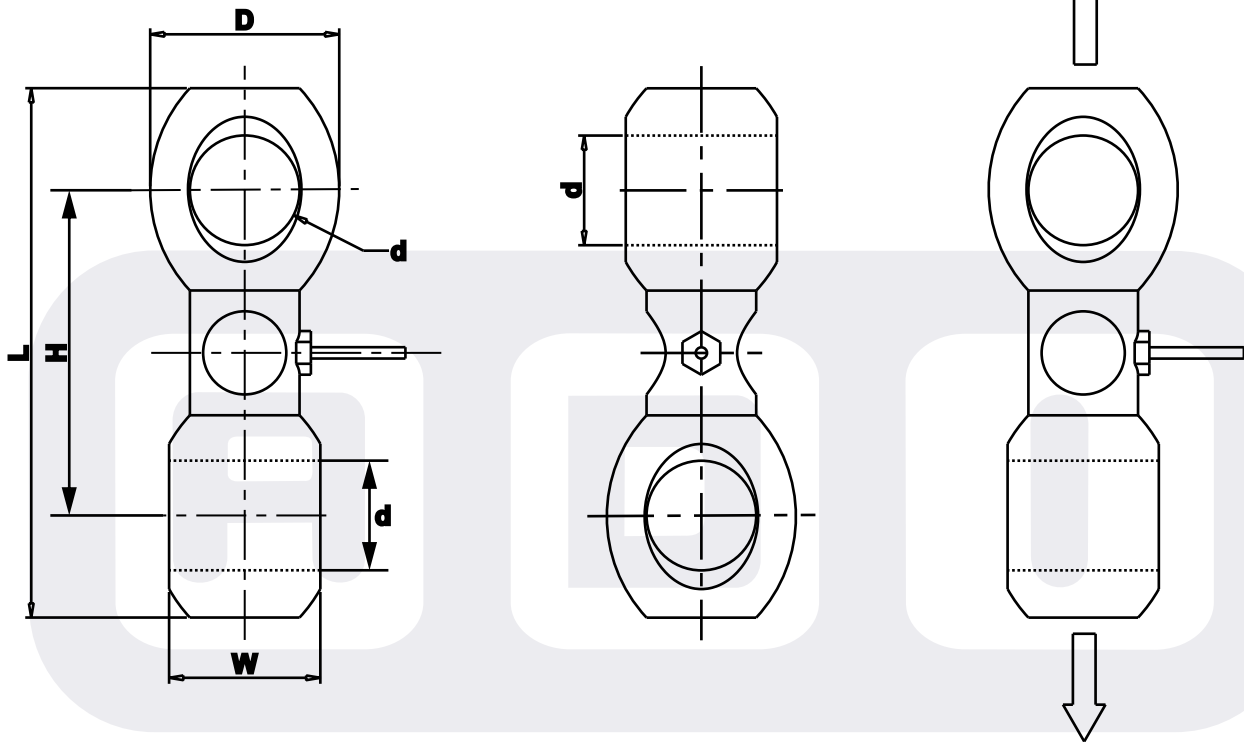
1B,1C POR INDUSTRIAL PARK  
BEHIND SAHYOG HOTEL  
POR 391243 DIST VADODARA (INDIA)

[www.adicontrols.com](http://www.adicontrols.com)

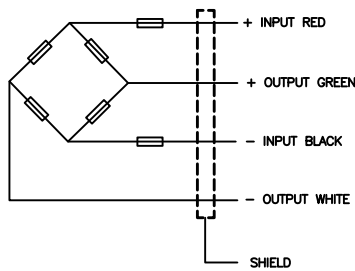
Email : [sales@adicontrols.com](mailto:sales@adicontrols.com)

Customer Care : +91 9328579990

## Loading Direction



### Electrical Termination



CAPACITY Tonf	d	D	W	H	L	Shackle-CB	Shackle-SL
3, 5	23	48	26	103	150	3.25T, 4.7T-G/S-209, 2130	3.25T, 4.75T-SL-2130/209
10 - 12	36	63	48	134	200	12T-G/S-209, 2130	12T-SL-2130/209
15	42	78	58	156	240	17T-G/S-209, 2130	17T-SL-2130/209
30	59	100	80	173	280	35T-G/S-209, 2130	25T, 35T-SL-2130
50	72	130	102	246	390	55T-G/S-209, 2130	55T-SL-2130
80	84	153	124	263	425	85T-G/S-2130	85T-SL-2130
100, 120	100	184	130	315	510	120T-G/S-2130	120T-SL-2130



## ADI CONTROLS

1B,1C POR INDUSTRIAL PARK  
BEHIND SAHYOG HOTEL  
POR 391243 DIST VADODARA (INDIA)

[www.adicontrols.com](http://www.adicontrols.com)

Email : [sales@adicontrols.com](mailto:sales@adicontrols.com)

Customer Care : +91 9328579990