

APB-961

COMPRESSION PAN CAKE LOAD CELL



DESCRIPTION :

APT-961 is a Pan Cake Compression type Load Cell.

APPLICATIONS :

- Compression Testing
- Tablet Hardness Testing
- Impact Force Testing
- Low Profile Floor Scale
- Tank & Silo Weighing
- Robotics & Automation

KEY FEATURES :

- Wide capacity range from 50 kgf to 30 tonf
- Alloy Tool Steel construction
- High Environment Protection

SPECIFICATIONS :

Rated capacity (Kgf)	:	50, 100, 200, 300, 500, 750, 1000
(Tonf)	:	1.5, 2, 3, 5, 7.5, 10, 15, 20, 30
Excitation Voltage	:	10VDC-Maximum 15 VDC
Rated Output	:	2.0 mV/V
Non – Linearity	:	< ± 0.1 % FSO (Full scale Output)
Hysteresis	:	< ± 0.15 % FSO
Non-Repeatability	:	< ± 0.1 % FSO
Creep error (30 minutes)	:	< ± 0.04 % FSO
Zero Load Output	:	± 1.0 % FSO
Input Resistance	:	390 \pm 10 Ohms up to 1T 770 \pm 20 Ohms 1.5T & Above
Output Resistance	:	390 \pm 10 Ohms up to 1T 700 \pm 7 Ohms 1.5T & Above
Insulation Resistance	:	> 1000 Mega Ohms
Safe Overload	:	150 % of Rated Capacity
Ultimate Overload	:	200 % of Rated Capacity
Temperature	:	0 to 60° C
Compensated Range	:	
Temperature Effect on Output	:	< 0.005 % FSO/° C
Temperature Effect on Zero	:	< 0.005 % FSO/° C
Deflection	:	< 0.4 mm at FSO
Finish & Construction	:	Electroless Nickel Plated Tool Steel. Stainless Steel available optionally.
Environment Protection	:	IP 65



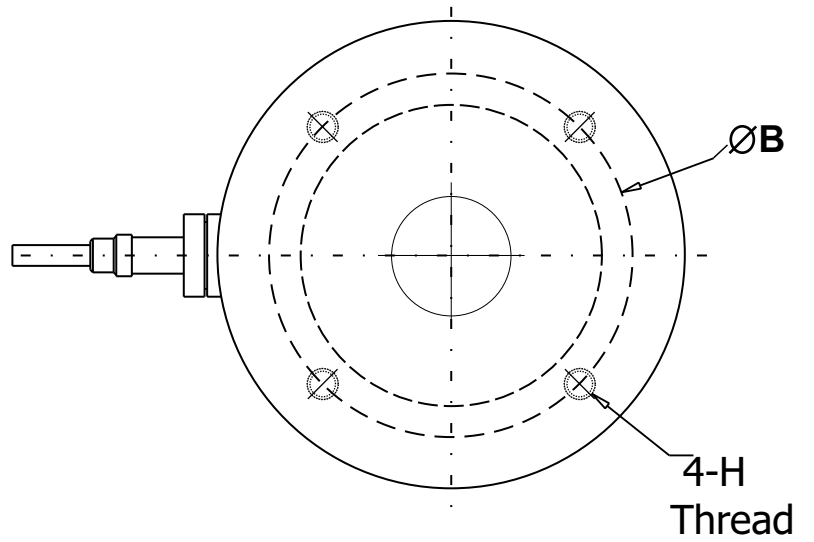
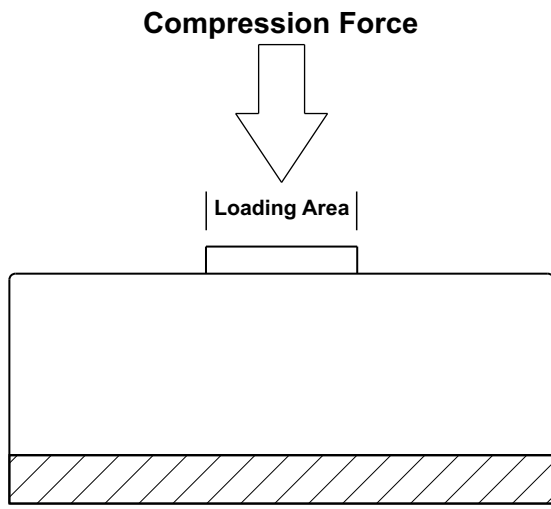
ADI CONTROLS

1B,1C POR INDUSTRIAL PARK
BEHIND SAHYOG HOTEL
POR 391243 DIST VADODARA (INDIA)

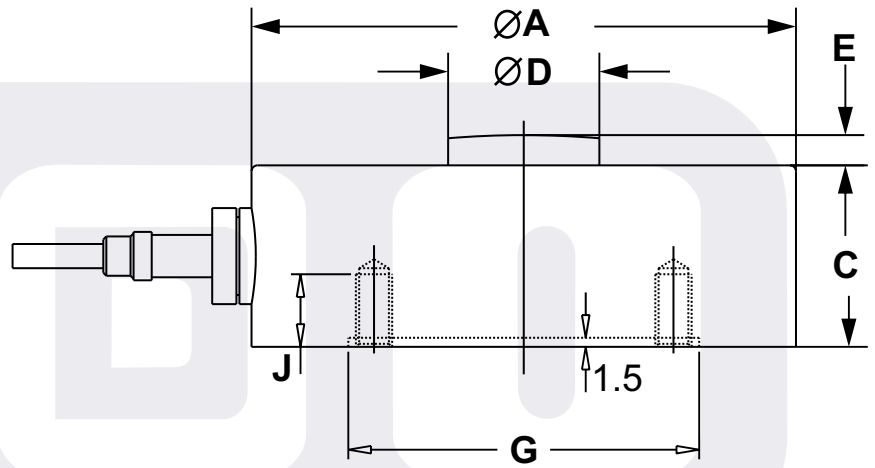
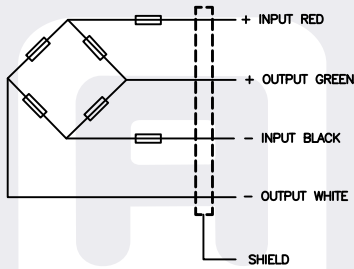
www.adicontrols.com

Email : sales@adicontrols.com

Customer Care : +91 9328579990



Electrical Termination



CAPACITY Tf	A	B	C	E	D	G	H	J
0.05 To 1000	50	42	25	5	13	33	M4 X 0.7	6
1.5 To 5	90	70	30	5	23	58	M6 X 1	8
7.5, 10, 15, 20	115	90	40	5	32	75	M8 X 1.25	10
30	155	125	40	5	44	103	M12 X 1.50	12

Note:- All Dimensions are in mm.



ADI CONTROLS

1B,1C POR INDUSTRIAL PARK
BEHIND SAHYOG HOTEL
POR 391243 DIST VADODARA (INDIA)

www.adicontrols.com

Email : sales@adicontrols.com

Customer Care : +91 9328579990