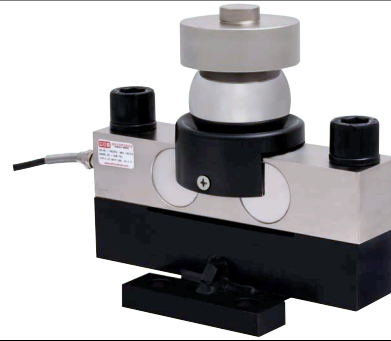


ADS-761

DOUBLE ENDED SHEAR BEAM LOAD CELL



DESCRIPTION :

ADS-761 is a Mid to High capacity double ended shear beam load cell suitable for Tank, Hopper & Truck Weighing.

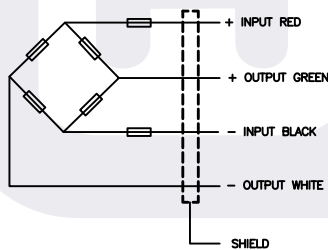
APPLICATIONS :

- Weighbridge
- Truck Scale
- Tank & Silo Weighing

KEY FEATURES :

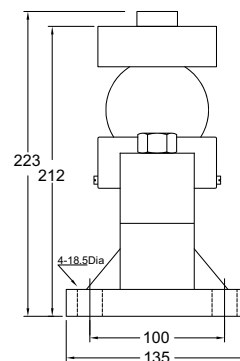
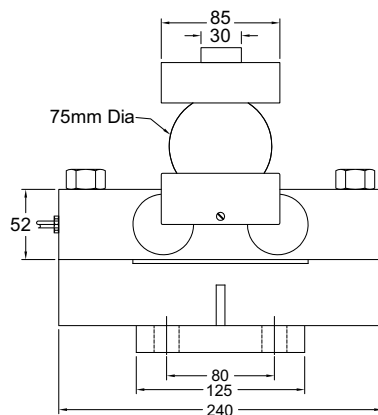
- Centre Loading
- Alloy Tool Steel construction
- IP 68

Electrical Termination



SPECIFICATIONS :

Rated Capacity (Tf.)	: 10, 20, 30, 40
Excitation Voltage	: 10VDC-Maximum 15 VDC
Rated Output	: 2.0 ±0.002 mV/V
Non – Linearity	: < ± 0.025 % FSO (Full scale Output)
Hysteresis	: < ± 0.02 % FSO
Non-Repeatability	: < ± 0.01 % FSO
Creep error (30 minutes)	: < ± 0.03 % FSO
Zero Load Output	: ± 1.0 % FSO
Input Resistance	: 770 ± 20 Ohms
Output Resistance	: 700 ± 7 Ohms
Insulation Resistance	: > 1000 Mega Ohms
Cable Length(4 Core)	: 16 mtr.
Safe Overload	: 150 % of Rated Capacity
Ultimate Overload	: 250 % of Rated Capacity
Temperature	: -10 to 70° C
Compensated Range	
Temperature Effect on Output	: < 0.0015 % FSO/° C
Temperature Effect on Zero	: < 0.002 % FSO/° C
Deflection	: < 0.5 mm at FSO
Finish & Construction	: Electroless Nickel Plated Tool Steel.
Environment Protection	: IP 68



ADI CONTROLS

1B,1C POR INDUSTRIAL PARK
BEHIND SAHYOG HOTEL
POR 391243 DIST VADODARA (INDIA)

www.adicontrols.com

Email : sales@adicontrols.com

Customer Care : +91 9328579990