

# ADS-731

## DOUBLE ENDED SHEAR BEAM LOAD CELL



### DESCRIPTION :

ADS-731 is a Mid to High capacity double ended shear beam load cell suitable for Tank, Hopper & Truck Weighing.

### APPLICATIONS :

- Weighbridge
- Truck Scale
- Tank & Silo Weighing

### KEY FEATURES :

- Centre Link Loading
- Alloy Tool Steel construction
- IP 67 Environment Protection
- Weigh Module available

### SPECIFICATIONS :

Rated Capacity	: 5, 10, 15, 20, 23, 30, 40, 50, 75, 100 Tonf
Excitation Voltage	: 10VDC-Maximum 15 VDC
Rated Output	: 3.0 mV/V
Non – Linearity	: $< \pm 0.025$ % FSO (Full scale Output)
Hysteresis	: $< \pm 0.02$ % FSO
Non-Repeatability	: $< \pm 0.01$ % FSO
Creep error (30 minutes)	: $< \pm 0.03$ % FSO
Zero Load Output	: $\pm 1.0$ % FSO
Input Resistance	: $770 \pm 20$ Ohms
Output Resistance	: $700 \pm 7$ Ohms
Insulation Resistance	: $> 1000$ Mega Ohms
Safe Overload	: 150 % of Rated Capacity
Ultimate Overload	: 250 % of Rated Capacity
Side Load Allowed	: 50 % of Rated Capacity
Side Load Discrimination	: 500 : 1
Temperature	: 0 to 60° C
Compensated Range	
Temperature Effect on Output	: $< 0.0015$ % FSO/° C
Temperature Effect on Zero	: $< 0.002$ % FSO/° C
Deflection	: $< 0.5$ mm at FSO
Tightening Torque	: 10 Kg-m.
Finish & Construction	: Electroless Nickel Plated Tool Steel.
Environment Protection	: IP 67 compatible



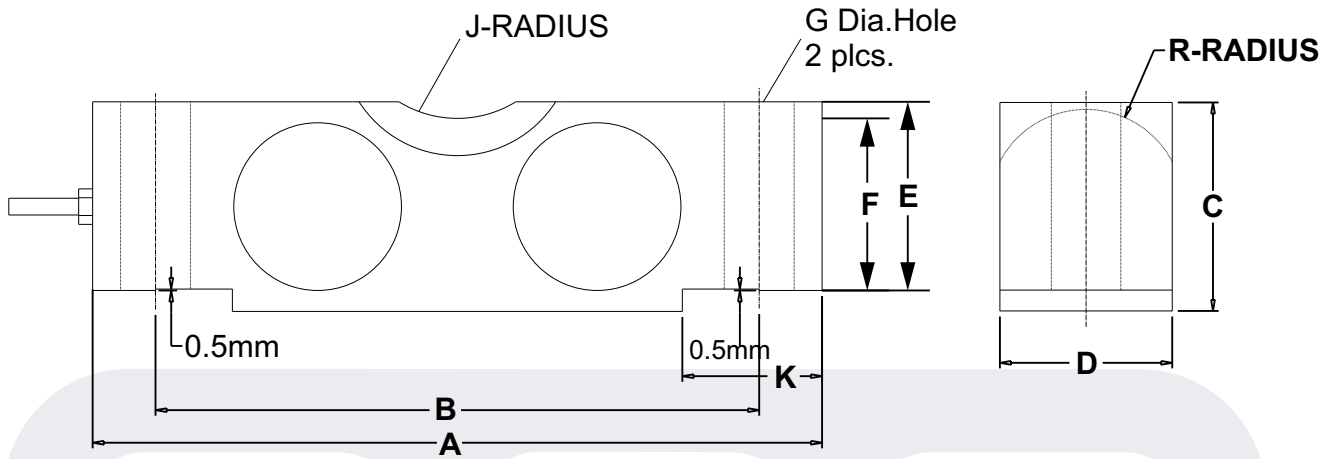
## ADI CONTROLS

1B,1C POR INDUSTRIAL PARK  
BEHIND SAHYOG HOTEL  
POR 391243 DIST VADODARA (INDIA)

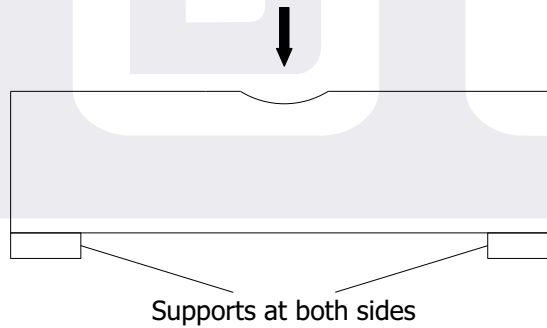
[www.adicontrols.com](http://www.adicontrols.com)

Email : [sales@adicontrols.com](mailto:sales@adicontrols.com)

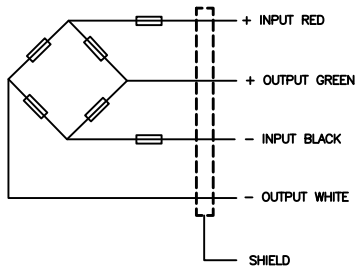
Customer Care : +91 9328579990



ARROW SHOWS LOAD DIRECTION FOR +VE OUTPUT



**Electrical Termination**



CAPACITY Tonf	A	B	C	D	E	F	G	J	R	K	CABLE
5, 10	197	165	50	43	43	41	18	19	22	35	10 Mtrs.
15 to 30	261	216	75	62	67.5	64.5	25	30	35	50	20 Mtrs.
40 to 50	388	324	98	74	87	84	41	40	45	80	20 Mtrs.
75 to 100	490	387	133	108	104	98	41	50	60	102	20 Mtrs.



**ADI CONTROLS**

1B,1C POR INDUSTRIAL PARK  
BEHIND SAHYOG HOTEL  
POR 391243 DIST VADODARA (INDIA)

[www.adicontrols.com](http://www.adicontrols.com)

Email : [sales@adicontrols.com](mailto:sales@adicontrols.com)

Customer Care : +91 9328579990