

# ASP-631

## PLATFORM LOAD CELL



### DESCRIPTION :

ASP-631 is a high accuracy, low profile platform load cell – ideal solution for smaller size platform scales.

### APPLICATIONS :

- Platform Scales
- Bag Weighing
- Check Weighing

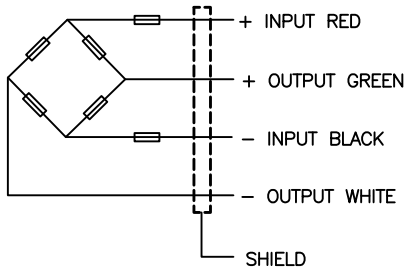
### KEY FEATURES :

- Low Profile design
- Tool Steel construction
- Wide capacity range
- Supports 600x600 platform size

### SPECIFICATIONS :

Rated capacity (Kgf.)	: 30, 60, 100, 200, 250, 300, 400
Excitation Voltage	: 10VDC-Maximum 15 VDC
Rated Output	: 2.0 mV/V
Non – Linearity	: $< \pm 0.025 \% \text{ FSO}$ (Full scale Output)
Hysteresis	: $< \pm 0.01 \% \text{ FSO}$
Non-Repeatability	: $< \pm 0.02 \% \text{ FSO}$
Creep error (30 minutes)	: $< \pm 0.03 \% \text{ FSO}$
Zero Load Output	: $\pm 1.0 \% \text{ FSO}$
Input Resistance	: $388 \pm 10 \text{ Ohms}$
Output Resistance	: $350 \pm 4 \text{ Ohms}$
Insulation Resistance	: $>1000 \text{ Mega Ohms}$
Safe Overload	: 150 % of Rated Capacity
Ultimate Overload	: 250 % of Rated Capacity
Temperature	: 0 to 60° C
Compensated Range	
Temperature Effect on Output	: $<0.0015 \% \text{ FSO}/^\circ \text{C}$
Temperature Effect on Zero	: $< 0.002 \% \text{ FSO}/^\circ \text{C}$
Max. Platform Size	: 600 x 600 mm
Off Center Load Error	: $< 0.02\% \text{ of FSO at } 1/3 \text{ rated load}/300\text{mm off center}$
Deflection	: $<0.5 \text{ mm at FSO}$
Finish & Construction	: Electroless Nickel plated Tool Steel. Stainless Steel available optionally
Environment Protection	: IP 65 compatible

### Electrical Termination



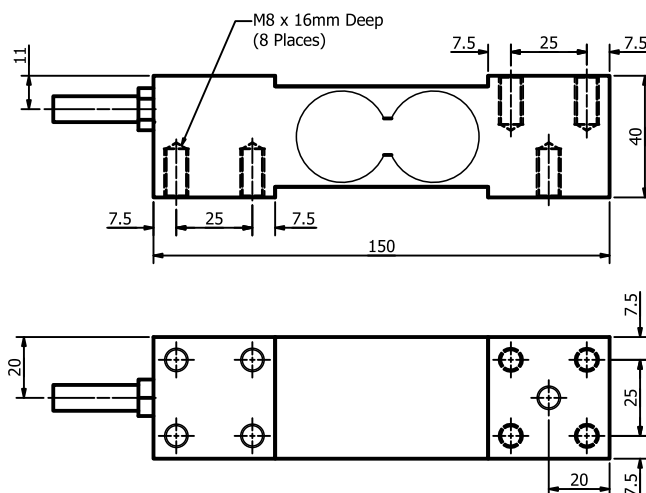
## ADI CONTROLS

1B,1C POR INDUSTRIAL PARK  
BEHIND SAHYOG HOTEL  
POR 391243 DIST VADODARA (INDIA)

[www.adicontrols.com](http://www.adicontrols.com)

Email : [sales@adicontrols.com](mailto:sales@adicontrols.com)

Customer Care : 9328579990



All dimensions are in mm.